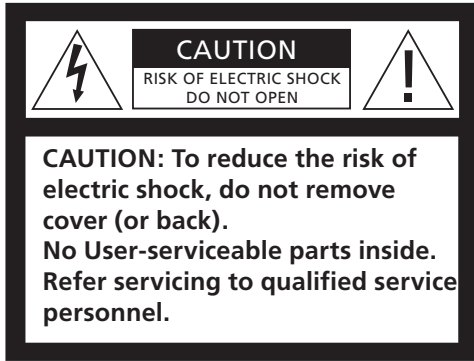


BeoLab 10

Guide



WARNING: To reduce the risk of fire or electric shock, do not expose this appliance to rain or moisture. Do not expose this equipment to dripping or splashing and ensure that no objects filled with liquids, such as vases, are placed on the equipment.

To completely disconnect this equipment from the AC Mains, disconnect the mains plug from the wall socket. The disconnect device shall remain readily operable.



The lightning flash with arrowhead symbol within an equilateral triangle, is intended to alert the user to the presence of un-insulated “dangerous voltage” within the product’s enclosure that may be of sufficient magnitude to constitute a risk of electric shock to persons.



The exclamation point within an equilateral triangle is intended to alert the user to the presence of important operating and maintenance (servicing) instructions in the literature accompanying the product.

Cautions!

- Make sure that the loudspeaker is placed and connected in accordance with the instructions in this Guide. To prevent injury, use Bang & Olufsen approved stands and wall brackets only!
- The loudspeaker can only be switched off completely by disconnecting it from the wall socket.
- Do not attempt to open the loudspeaker. Leave such operations to qualified service personnel!
- The loudspeaker is designed for indoor use in dry, domestic environments only, and for use within a temperature range of 10–40° C (50–105° F).
- Do not place any items on the loudspeaker.
- Do not lift the loudspeaker by gripping the acoustic lens.
- *Prolonged listening at high volume levels may cause hearing damage!*

When you have finished setting up the loudspeaker as described on the following pages, connect the entire system to the mains.

Loudspeaker protection

The loudspeaker is equipped with a thermal protection system which prevents damage from overheating. If an error occurs – or the speaker units become overheated – the system automatically switches the loudspeaker to standby.

To restore the sound:

- > Disconnect the loudspeaker from the mains supply.
- > Allow the system time to reset or cool down (approximately 3–5 minutes).
- > Reconnect the loudspeaker to the mains supply.

Should the problem persist, contact your Bang & Olufsen retailer.

To clean the loudspeaker

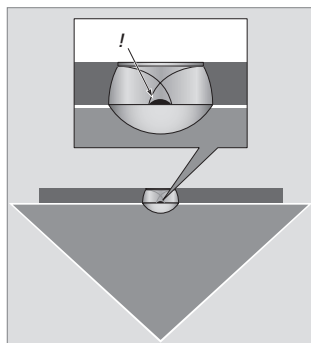
Clean dusty surfaces using a dry, soft cloth. If necessary, remove grease stains or persistent dirt with a lint-free, firmly wrung cloth, dipped in a solution of water containing only a few drops of *mild* detergent, such as washing-up liquid.

Never use a vacuum cleaner to clean the exposed speaker membrane in the acoustic lens. However, the loudspeaker front cloth may be cleaned with a vacuum cleaner with a soft brush nozzle, and set to the lowest level.

Never use alcohol or other solvents to clean any parts of the loudspeaker!

To switch on and off

When you switch on your Bang & Olufsen system, the loudspeaker switches on simultaneously, and when you switch the system off again, the loudspeaker also switches to standby.



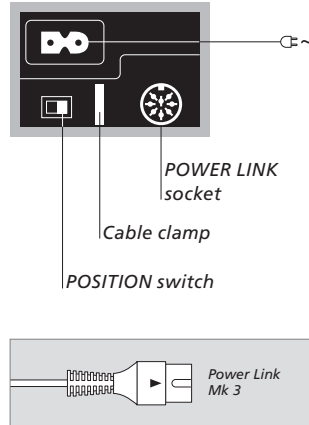
Caution: Do not touch the exposed speaker membrane in the acoustic lens!

Set up the loudspeaker – cable connections

The loudspeaker socket panel is located on the rear. Insert the cables and set the POSITION switch before you fasten the loudspeaker to the wall bracket.

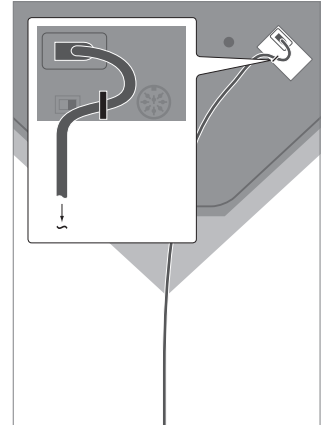
For information about the sockets on the Bang & Olufsen system, refer to the Guides enclosed with the product.

Before you make any connections, disconnect your Bang & Olufsen system from the mains supply!



POWER LINK socket: Use this socket to connect the loudspeaker to one of the Power Link sockets on the Bang & Olufsen system.

Note: Do not use a Power Link cable of the older type, as this will cause noise, and therefore not give optimum sound quality! The new type has a triangular mark on the plug.



Cable clamp: For safety reasons, the mains cord from the wall outlet must be secured to the loudspeaker. To do so, tug the cord behind the cable clamp.

Mains cord: The supplied mains cord and plug are specially designed for the product. If you change the plug or damage the mains cord, you must buy another from your Bang & Olufsen retailer!

The POSITION switch

When a loudspeaker is placed in a corner or close to a wall, the bass level is boosted compared to the bass level from a loudspeaker placed in a more free-standing position.

To remove this excessive bass boost, use the POSITION switch to ensure that the bass level suits the placement of the loudspeaker. The appropriate switch setting depends on the distance from the loudspeaker to the walls and corners of the room.

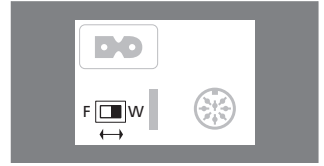
The switch has two settings:

W – Wall position

This is the factory setting. Use this setting when the loudspeaker is placed so that the front is less than 50 cm (20") from the rear wall, for example when the loudspeaker is mounted on the wall bracket as explained in this Guide.

F – Free-standing position

This setting is for future use. To be used if the loudspeaker is placed so that the front is more than 50 cm (20") from the rear wall.



The POSITION switch is located on the loudspeaker socket panel.

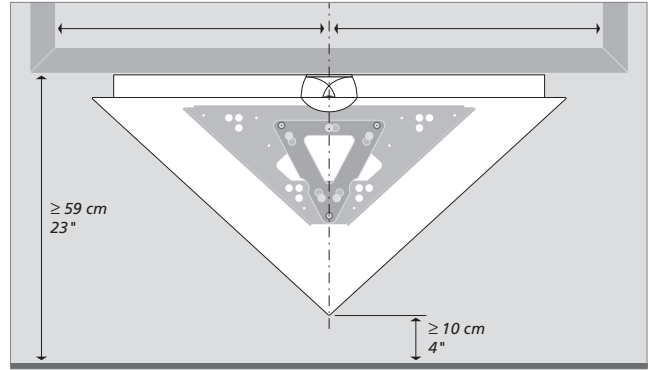


*Acoustic Lens Technology –
manufactured under license from
Sausalito Audio Works.*

Set up the loudspeaker – wall bracket

The wall bracket must be fastened to the wall so that the loudspeaker is placed in a centred position immediately below the television screen.

We recommend that you place the television screen so that the loudspeaker will be at least 10 cm (4") above the floor.



About screws, washers and wall anchors

Use the correct size and type of screws, washers and wall anchors – taking into account the construction and condition of the wall.

Use at least four screws – two in each side of the wall bracket.

Under each screw head use an appropriately sized washer with a minimum thickness of 1.6 mm (0.07"). Each screw and washer must have a minimum load rating of 16 kg (35 lbs).

Additional notice about light partition walls:

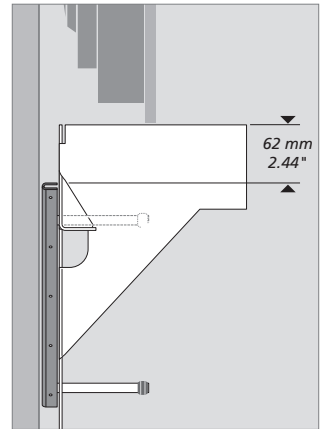
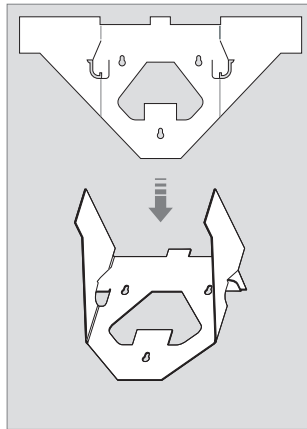
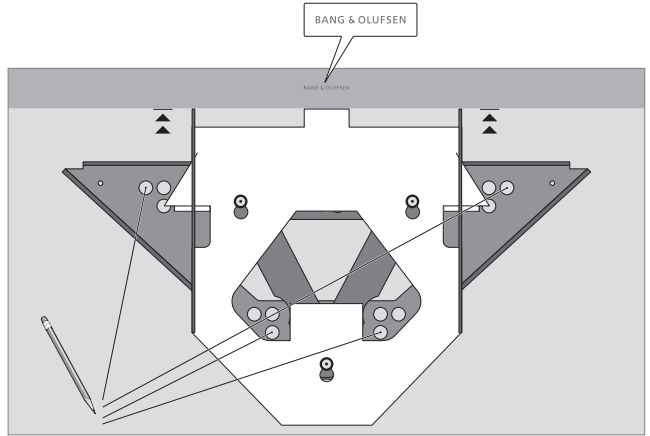
If you intend to hang the loudspeaker on a gypsum wall (also known as drywall or wallboard), the wall bracket *must be* fastened to a vertical stud! Mounting was evaluated for use on a drywall surface.

Use one round-headed lag screw (\varnothing 6 mm – 0.23"), which penetrates the gypsum and is screwed a minimum of 25 mm (1") into a vertical stud. Furthermore, use three additional screws of a type intended for gypsum walls.

To fasten the wall bracket

- 1 Fold the cardboard 'tool' as shown, and attach it to the wall bracket.
- 2 Hold the wall bracket against the wall – centred below the television screen. Make sure that the 'tool' touches the screen edge.
- 3 Mark up on the wall where to drill the holes.
- 4 Drill the holes in the wall, and insert the appropriate wall anchors.
- 5 Fasten the wall bracket to the wall using the appropriate size and type of screws and washers.

The holes in the wall bracket allows for some adjustment. Make sure that the wall bracket is in the correct position – level and centred in the correct distance from the screen edge. Then fully tighten all the screws.

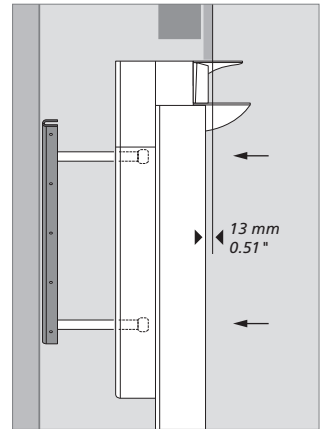
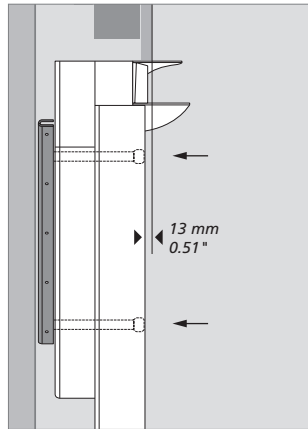
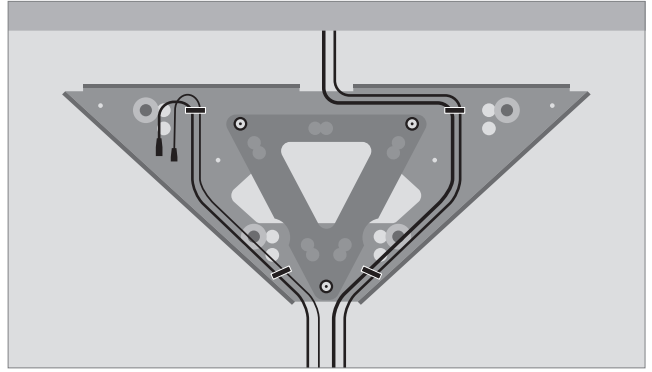


Cardboard 'tool': The 'tool' is used as a help to position the wall bracket in the correct distance from the lower edge of the television screen.

To fasten the loudspeaker

Attach the television screen and loudspeaker cables to the wall bracket before you fasten the loudspeaker. Use the small cable clamps provided.

- Connect the cables to the loudspeaker and hang it on the wall bracket by inserting the three struts into the corresponding holes in the loudspeaker cabinet.
- Adjust the loudspeaker position on the wall bracket. The correct position is obtained when the front of the loudspeaker cabinet falls 13 mm (0.51") 'behind' the front of the television screen.
- Tighten the screws at the end of all three struts – in order to lock the loudspeaker position onto the wall bracket.



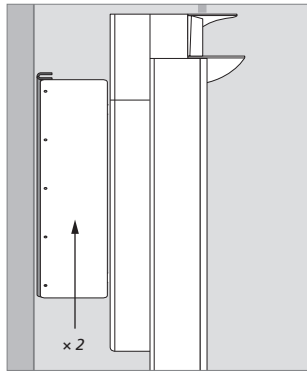
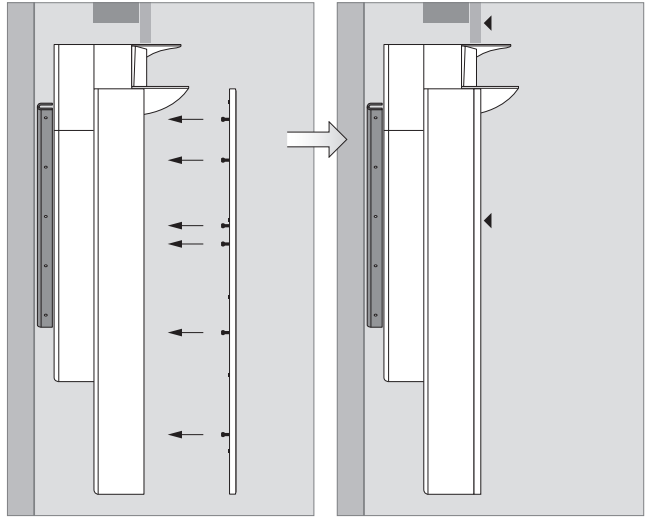
Loudspeaker position: *The wall bracket allows you to adjust the loudspeaker front-to-back position for use with different television screen sizes. For safety reasons, it is important that you lock the loudspeaker onto the wall bracket!*

To attach the loudspeaker front panel

- 1 Insert all the little pegs on the rear side of the panel into the corresponding holes in the loudspeaker cabinet.
- 2 Make sure that all the pegs are firmly seated into the holes.

When finished, the loudspeaker front panel must be aligned with the front of the television screen. If it appears not to be so, remove the loudspeaker front panel again, and adjust the front-to-back position of the loudspeaker.

To remove the front panel, for example for cleaning, just pry the little pegs free from the loudspeaker cabinet.



Cover plates: If your loudspeaker is set up beneath a 65-inch screen, fasten two cover plates to the wall bracket – one on each side of the bracket.



Waste Electrical and Electronic Equipment (WEEE) – Environmental protection

Electrical and electronic equipment, parts and batteries marked with this symbol must not be disposed of with normal household wastage; all electrical and electronic equipment, parts and batteries must be collected and disposed of separately.

When disposing of electrical and electronic equipment and batteries by use of the collection systems available in your country, you protect the environment, human health and contribute to the prudent and rational use of natural resources. Collecting electrical and

electronic equipment, batteries and waste prevents the potential contamination of nature with the hazardous substances which may be present in electrical and electronic products and equipment. Your Bang & Olufsen retailer will advise you of the correct way of disposal in your country.

If a product is too small to be marked with the symbol, it will appear in the User Guide, on the Guarantee certificate, or on the packaging.

For the Canadian market only!

This class B digital apparatus meets all requirements of the Canadian Interference-Causing Equipment Regulations.

CE *This product is in conformity with the provisions of the Directives 1999/5/EC and 2006/95/EC.*

Technical specifications, features and the use thereof are subject to change without notice!

For the US-market only!

NOTE: This equipment has been tested and found to comply with the limits for a class B digital device, pursuant to part 15 of the FCC Rules. These limits are designed to provide reasonable protection against harmful interference in a residential installation.

This equipment generates, uses and can radiate radio frequency energy and, if not installed and used in accordance with the instructions, may cause harmful interference to radio communications. However, there is no guarantee that interference will not occur in a particular installation. If this equipment does cause harmful interference to radio or television reception, which can be determined by turning the equipment off and on, the user is encouraged to try to correct the interference by one or more of the following measures:

- Reorient or relocate the receiving antenna.
- Increase the separation between the equipment and receiver.
- Connect the equipment into an outlet on a circuit different from that to which the receiver is connected.
- Consult the retailer or an experienced radio/TV technician for help.

